

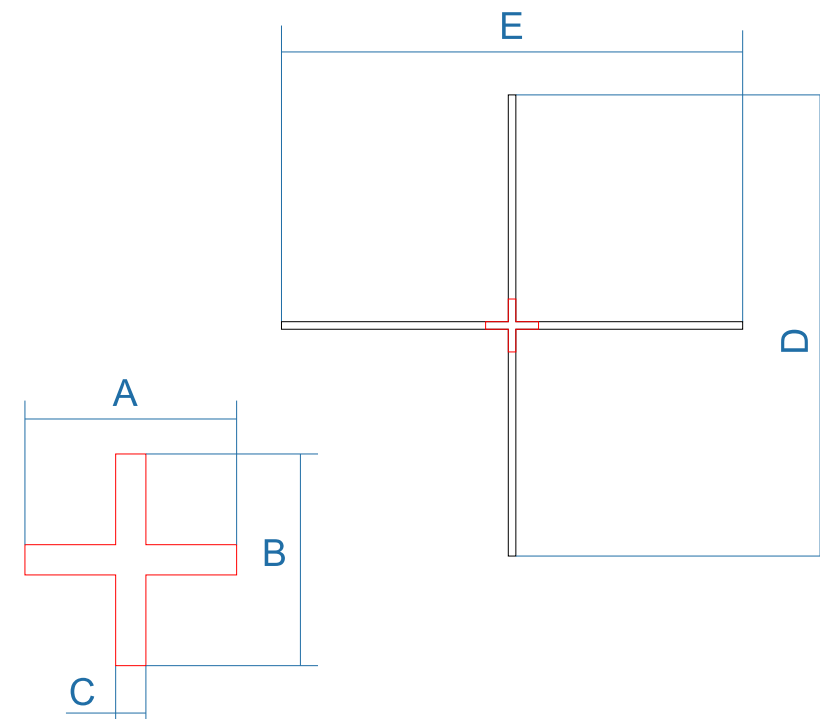


Geni GL35R
Thermal Imaging Scope

 **Reticle
Catalogue**



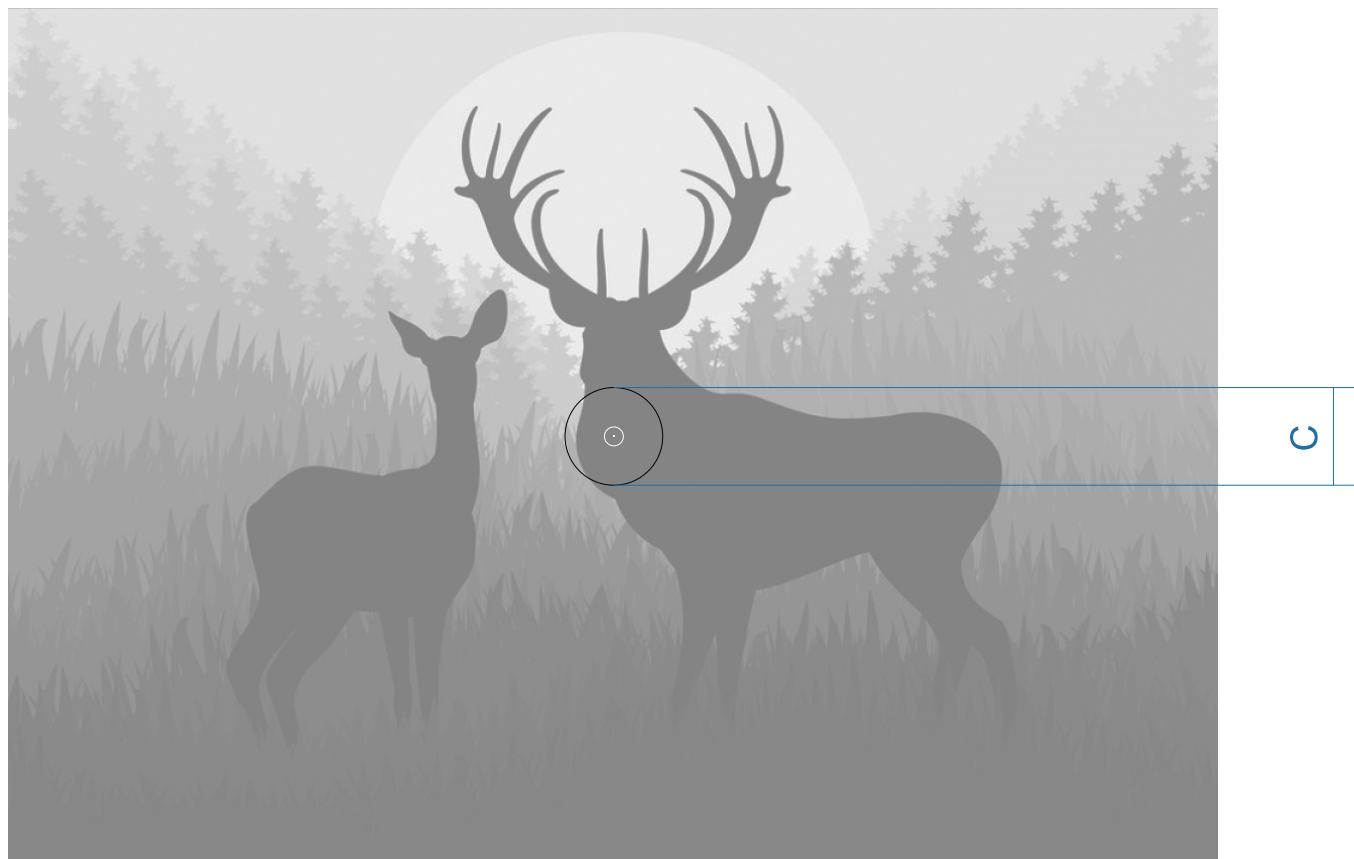
Reticle Parameters



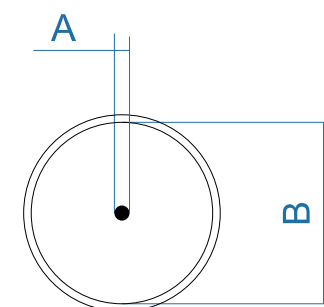
Geni GL35R

Thermal Imaging Scope

Model	MOA	cm @100m
	GL35R	GL35R
Section A	3.1	9
Section B	3.1	9
Section C	0.44	1.29
Section D	34.07	99
Section E	34.07	99



Reticle Parameters

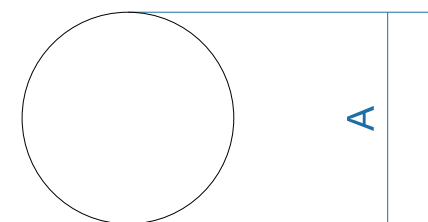


Geni GL35R
Thermal Imaging Scope

Model	MOA	cm @100m
Section A	0.44	1.29
Section B	6.64	19.29
Section C	36.73	106.74



Reticle Parameters

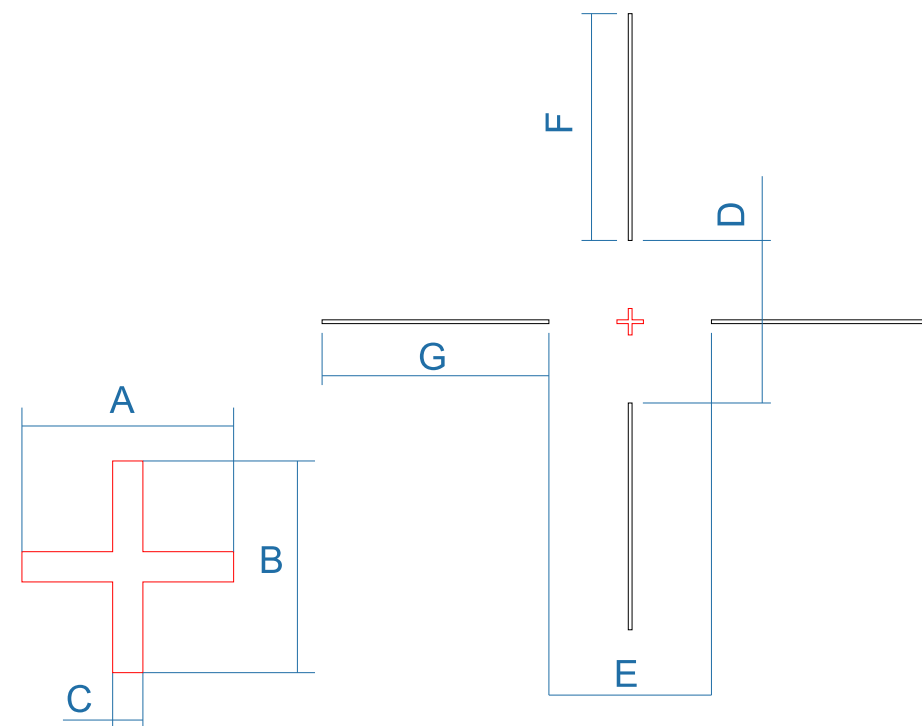


Model	MOA	cm @100m
Section A	1.33	3.86

Geni GL35R
Thermal Imaging Scope



Reticle Parameters



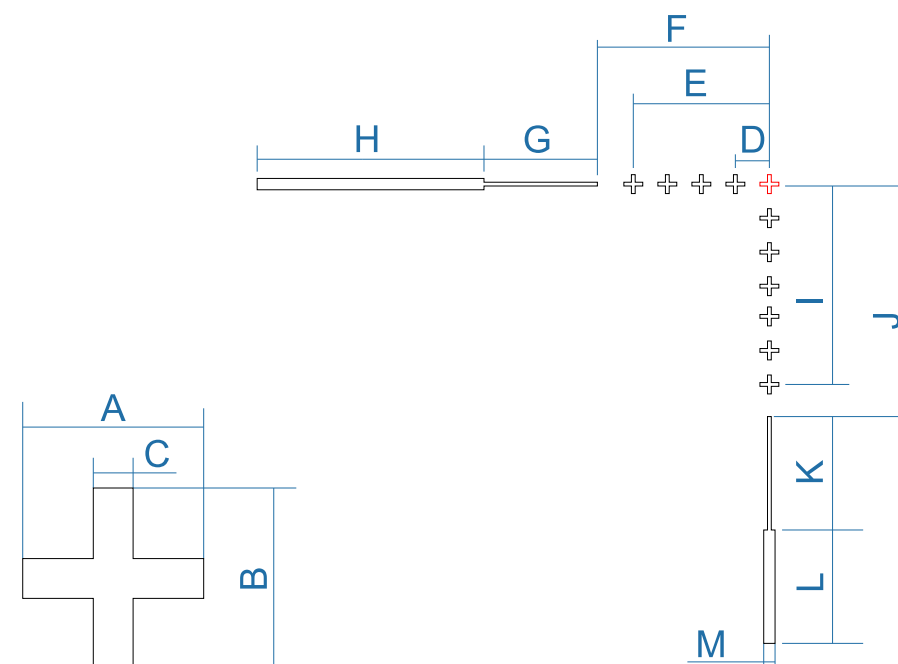
Geni GL35R

Thermal Imaging Scope

Model	MOA	cm @100m
	GL35R	GL35R
Section A	3.1	9
Section B	3.1	9
Section C	0.44	1.29
Section D	21.68	63
Section E	21.68	63
Section F	34.07	99
Section G	34.07	99



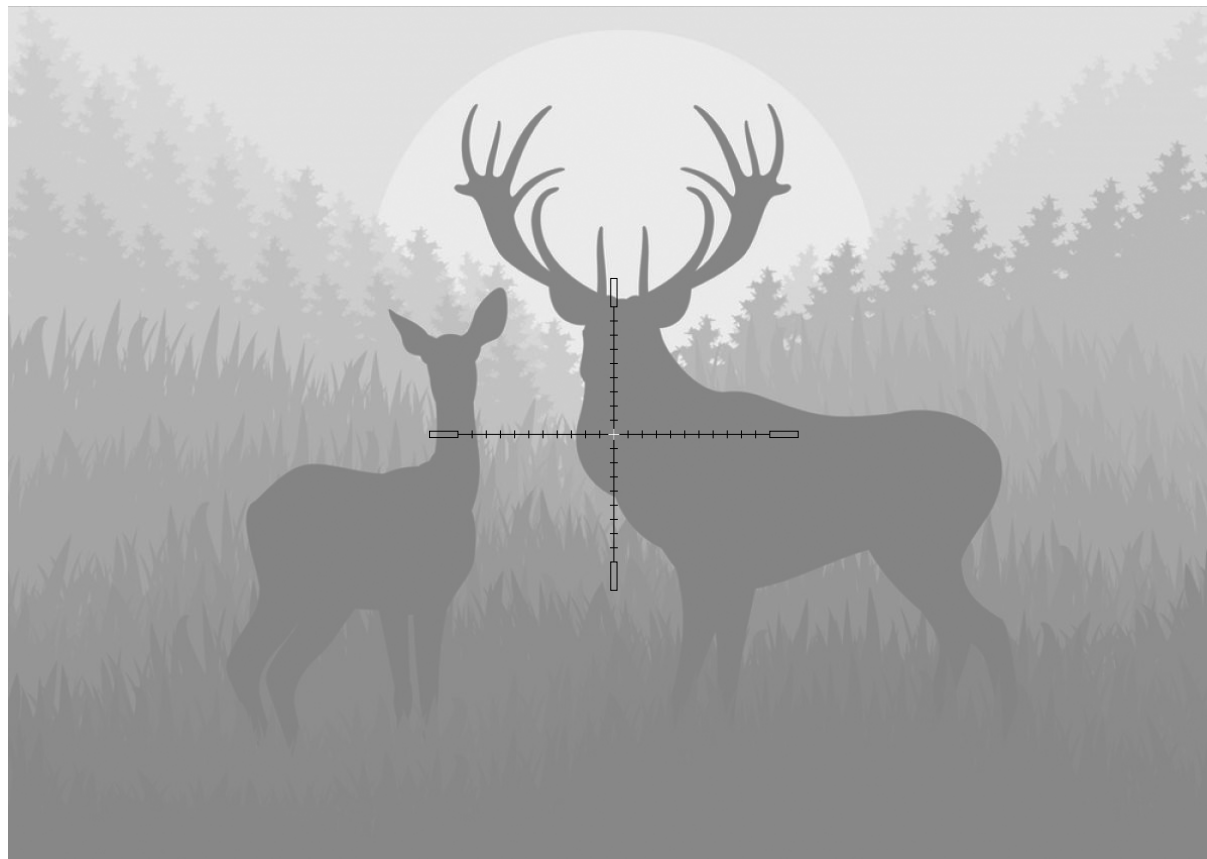
Reticle Parameters



Geni GL35R Thermal Imaging Scope

Model	MOA	cm @100m
	GL35R	GL35R
Section A	3.1	9
Section B	3.1	9
Section C	0.44	1.29
Section D	6.2	18
Section E	24.78	72
Section F	30.97	90

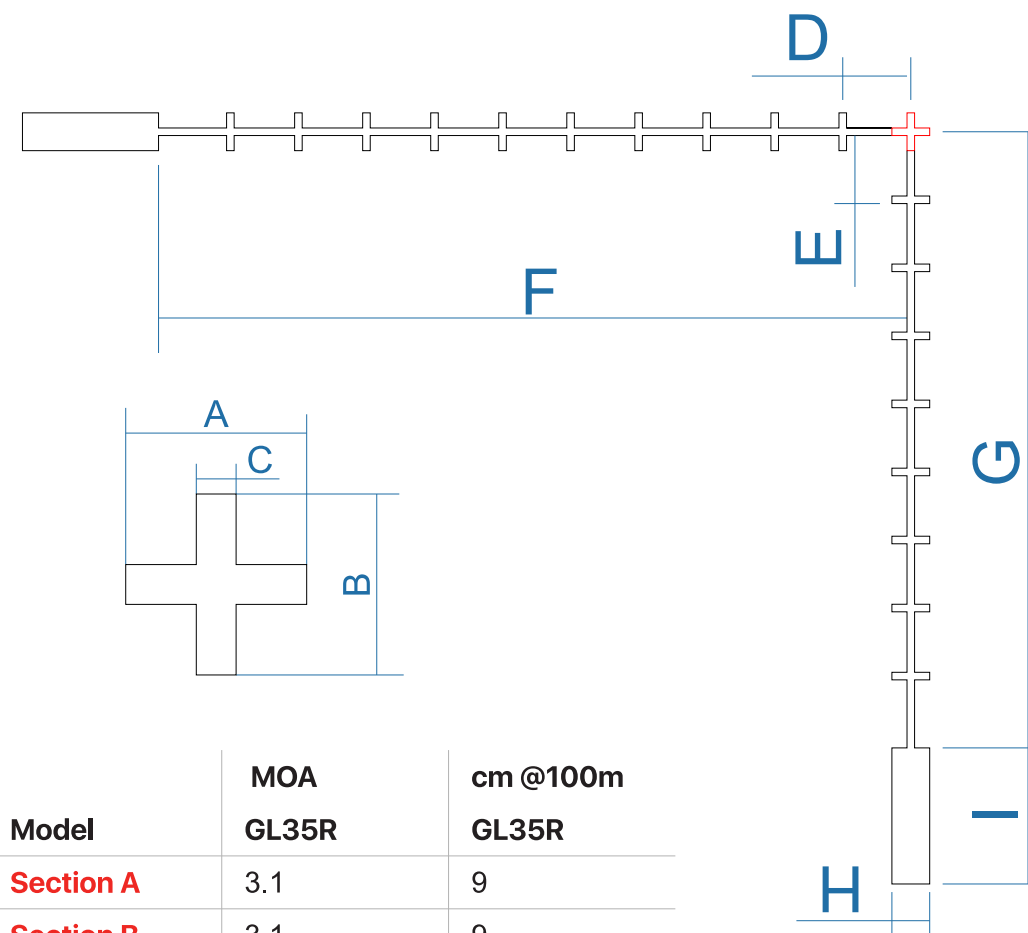
Model	MOA	cm @100m
	GL35R	GL35R
Section G	15.49	45
Section H	34.07	99
Section I	37.17	108
Section J	43.36	126
Section K	15.49	45
Section L	18.58	54
Section M	1.33	3.86



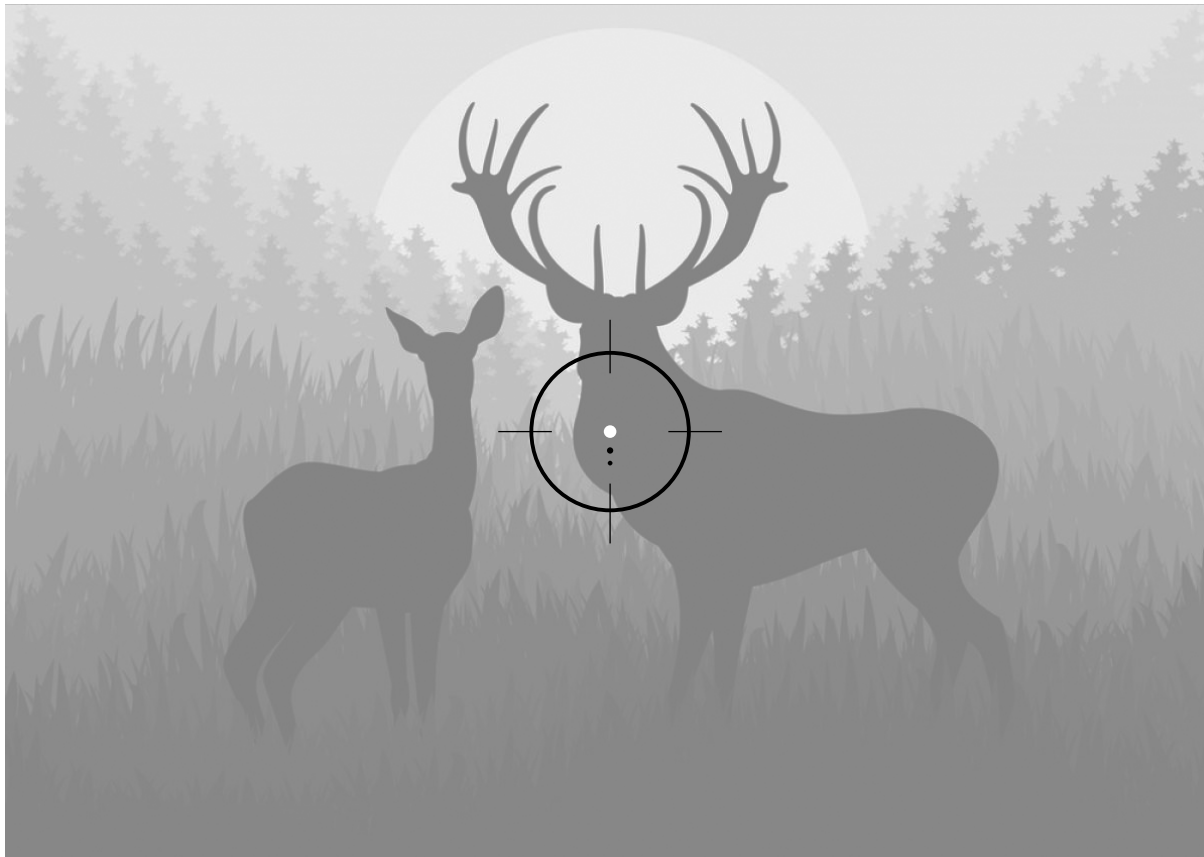
Geni GL35R

Thermal Imaging Scope

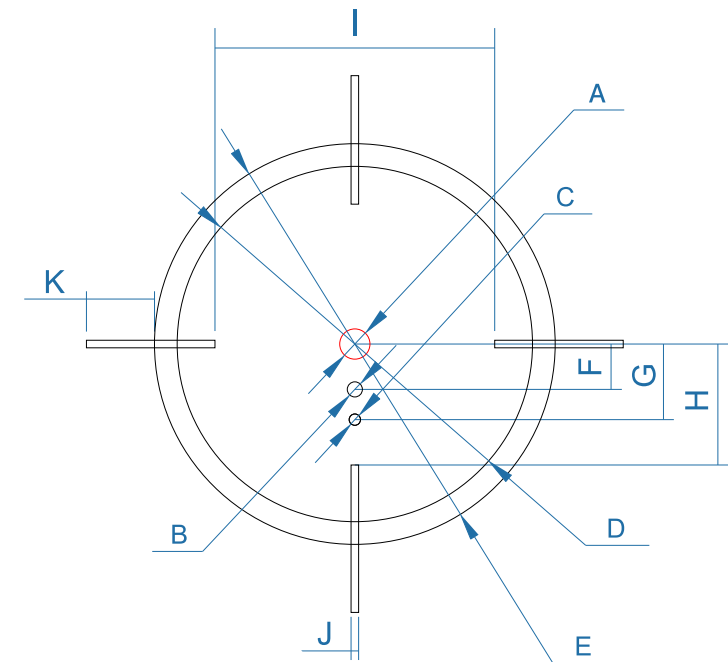
Reticle Parameters



Model	MOA	cm @100m
	GL35R	GL35R
Section A	3.1	9
Section B	3.1	9
Section C	0.44	1.29
Section D	6.19	18
Section E	6.19	18
Section F	68.14	198
Section G	55.75	162
Section H	3.1	9
Section I	9.29	27



Reticle Parameters



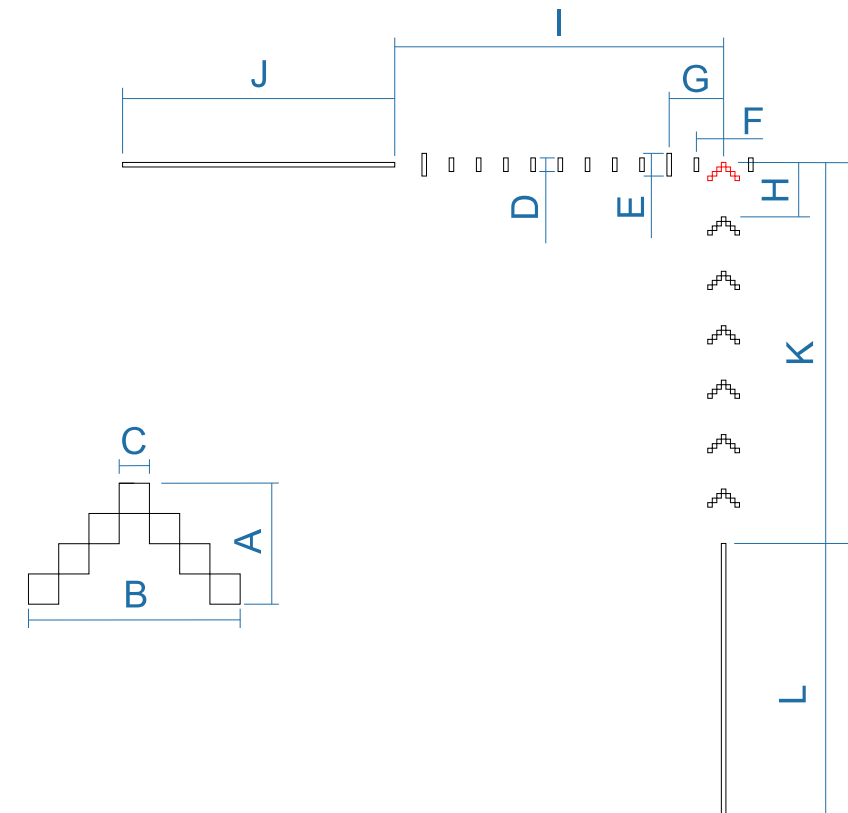
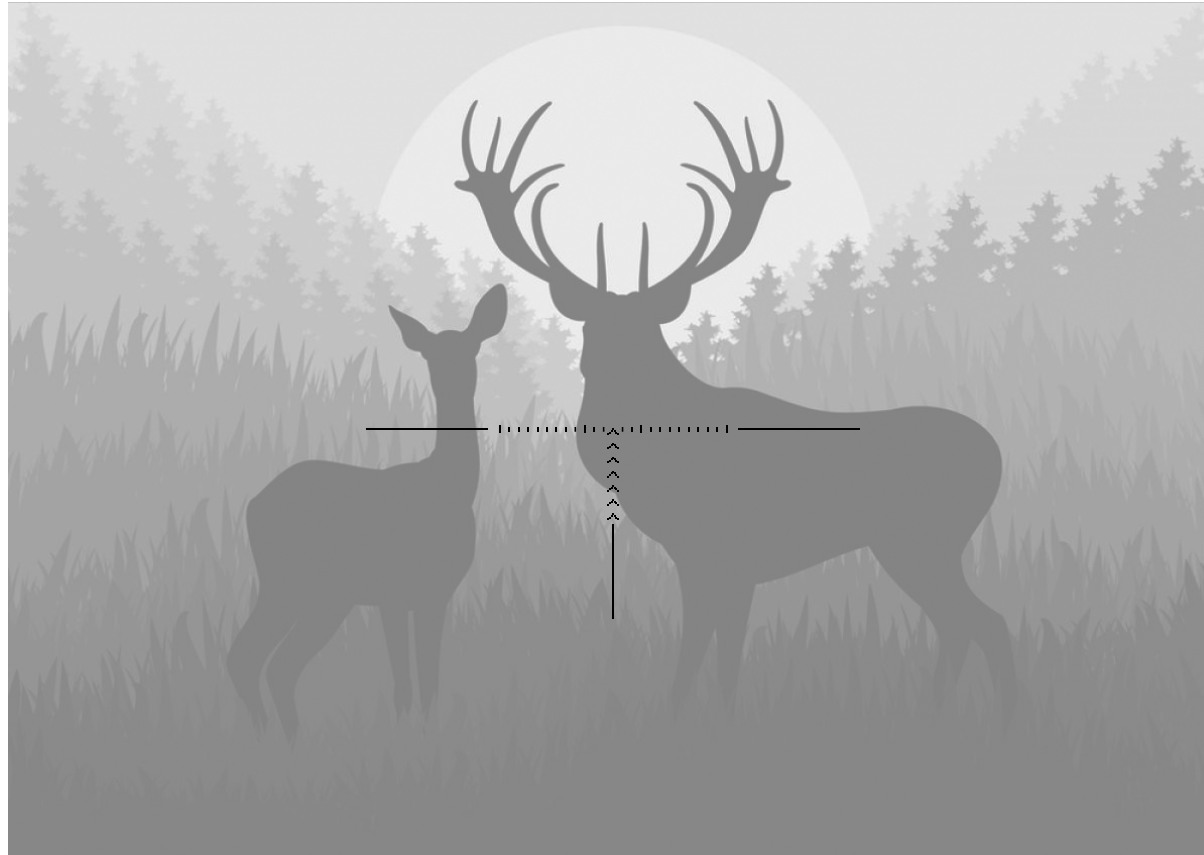
Geni GL35R Thermal Imaging Scope

Model	MOA	cm @100m
Section A	3.98	11.57
Section B	2.21	6.43
Section C	1.33	3.86
Section D	52.65	153
Section E	58.85	171
Section F	6.19	18

Model	MOA	cm @100m
Section G	12.39	36
Section H	18.58	54
Section I	42.92	124.74
Section J	1.33	3.86
Section K	9.29	27



Reticle Parameters



Geni GL35R Thermal Imaging Scope

Model	MOA	cm @100m
	GL35R	GL35R
Section A	1.77	5.14
Section B	3.1	9
Section C	0.44	1.29
Section D	2.21	6.43
Section E	3.98	11.57
Section F	3.1	9

Model	MOA	cm @100m
	GL35R	GL35R
Section G	6.19	18
Section H	6.19	18
Section I	37.17	108
Section J	34.07	99
Section K	43.36	126
Section L	34.07	99